

**BEFORE STARTING INSTALLATION OF YOUR LITTLE TIKES COMMERCIAL PRODUCT, "PLEASE READ INSTRUCTIONS THOROUGHLY"**

**SITE REQUIREMENTS:**  
This playevent is designed to suit a level site. Should there be any slopes on the site, care should be taken to accommodate the entry and exit points and to maintain the correct heights.

- The site must be checked for adverse or unusual conditions. i.e.
- 1) Exposed, cracked or loose concrete footings.
  - 2) Worm, scattered or compressed surface material.
  - 3) Exposed roots, rocks or other environmental obstacles that form potential trip hazards.
  - 4) Broken glass, refuse, or foreign objects around and on play equipment.
  - 5) Poor drainage areas.
  - 6) All sites especially those close to existing buildings must be checked for electrical or gas lines and drainage before digging.

**MAINTENANCE:**  
As the owner, it is most important that you are aware of your responsibility for the safe use of your new play equipment. It is necessary to install equipment correctly according to the installation instructions provided and inspect the equipment regularly at intervals specified within the "Maintenance Manual," located in your maintenance kit. During inspection, if any part is found to be damaged or excessively worn, equipment should immediately be put out of service while the part is replaced. Lack of "maintenance" will result in premature wear, reduced life expectancy and possible failure.

All Little Tikes Commercial Play Systems playevents have been designed and engineered to meet all applicable safety guidelines, but if installed improperly, problems may occur such as: protruding hardware, entrapment gaps between 89mm [3.5"] to 229mm [9"], or string entanglements. Make certain the runcut heights on all slides match what is recommended on the instruction page for that model number. Any accessible bolt ends that protrude beyond the face of the nut by more than two threads should be trimmed and peened smooth by the installer. Once your installation is complete, always inspect your work. Installation must be done to the manufacturer's assembly manual and applicable safety guidelines and/or standards.

**ALL CHILDREN SHOULD BE SUPERVISED WHILE PLAYING ON EQUIPMENT.**

**SAFETY AREAS:**  
The area immediately surrounding and above the play structure must be free of obstructions such as: buildings, trees, other play equipment, etc., and must be kept clear for entries, exits, traffic and falls. Make sure your site has the required surfacing and fall area designated on your Playground Layout Drawings.  
NOTE: Use zone to be 72" from outer edge of the Raft Rider and may overlap other equipment use zones.

Item Code	Description	Qty.
1	RAFT ASSY.	-
2	BASE ASSY. F/SIT-N-SURF	-
3A	FOOTING F/305SM SIT-N-SURF	-
3B	FOOTING F/NG SIT-N-SURF	-

**HARDWARE BAG (40MM [1.5"] SURFACE MOUNT 2003033726**

Item Code	Description	Qty.
4**	SP1326000 SCREW,DAP-3/8-16 x3 SS	1
5	200008483 WASHER BOWED M11 23.5 X 11.7 X 1.57 MM	2
6	SP1350500 NUT,HEX-3/8"INCLON LOOKING, 17/32 TALL	1
7	200182933 COVER SPACER, ZINC	4
8	SP1250500 WASHER,FENDER-3/8" 1.50"OD	4
12	200001776 ANCHOR CONCRETE WEDGE M10 X 1.50 X 100MM	4

**(305MM [12"] SURFACE MOUNT & ING MOUNT) HARDWARE BAG 2003033727**

Item Code	Description	Qty.
4**	SP1326000 SCREW,DAP-3/8-16 x3 SS	1
5	200008483 WASHER BOWED M11 23.5 X 11.7 X 1.57 MM	2
6	SP1350500 NUT,HEX-3/8"INCLON LOOKING, 17/32 TALL	9
7	200182933 COVER SPACER, ZINC	4
8	SP1250500 WASHER,FENDER-3/8" 1.50"OD	4
9	M00104008 BOLT 3/8-16 X 1 1/2 HEX HD 18-8SS	4
10	SP1249000 WASHER,FLAT-3/8"18-8 SS	12
11	104921 BOLT 3/8-16 X 1 1/4 BHCS 6 LOBE 18-8 SS	4
12	200001776 ANCHOR CONCRETE WEDGE M10 X 1.50 X 100MM	4

\* USED FOR SURFACE MOUNT APPLICATIONS ONLY  
Application  
-FOR AGE GROUP 5-12 YEARS

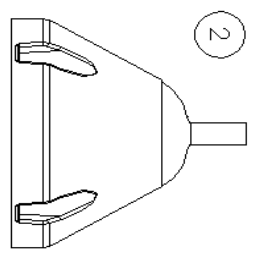
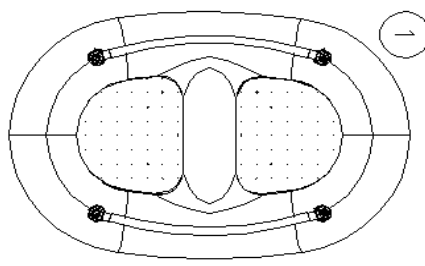
**40 MM (1.5") SURFACE MOUNT INSTALL INSTRUCTIONS**

- 1) PREPARE FOOTING AS REQUIRED. SEE PAGE 2.
- 2) CUT ZIP TIES TO REMOVE COVER FROM ITEM 2. LOCATE AND DRILL QTY 4 HOLES WITH A Ø3/8" MASONARY BIT FOR ANCHOR BOLTS (ITEM 12).
- 3) INSTALL BASE ASSEMBLY (ITEM 2) WITH ITEMS 7, 8, AND 12 AS SHOWN IN DETAIL-2.
- 4) INSTALL TOP ASSEMBLY (ITEM 1) WITH ITEMS 4, 5, AND 6 AS SHOWN IN VIEW-1.
- 5) INSTALL RESILIENT SURFACING.

**305 MM (12") SURFACE MNT AND ING INSTALL INSTRUCTIONS**

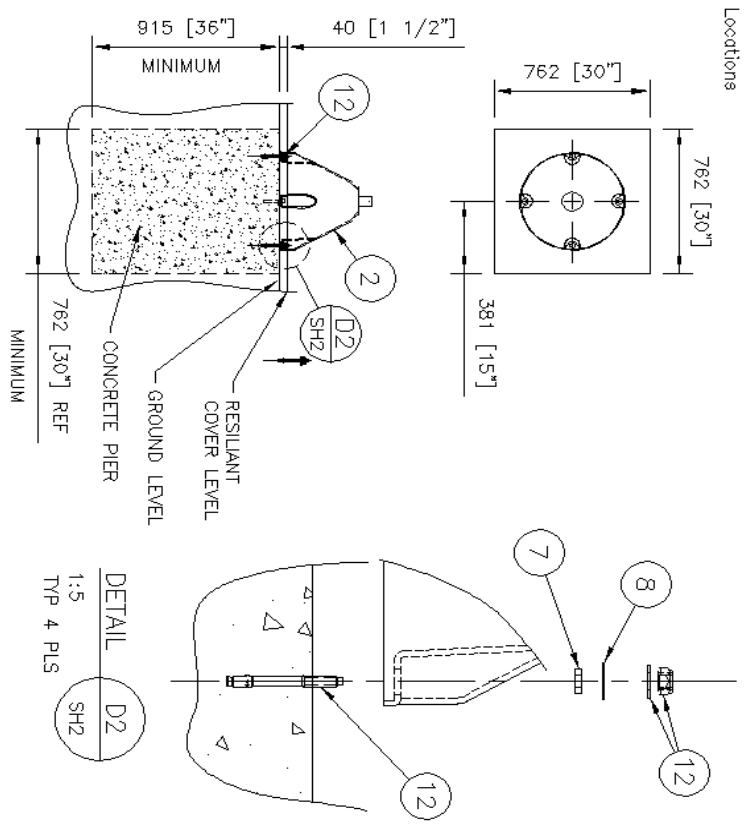
- 1) PREPARE FOOTING AS REQUIRED. SEE PAGE 3 or 4. FOR SURFACE MOUNT USE A Ø 3/8" MASONARY DRILL BIT.
- 2) CUT ZIP TIES TO REMOVE COVER FROM ITEM 2. ATTACH FOOTING (ITEM 3) TO BASE ASSEMBLY (ITEM 2) WITH ITEMS 6, 9, AND 10 AS SHOWN IN VIEW-2. (SHEET 4)
- 3) ATTACH PLASTIC CONE TO BASE ASSEMBLY WITH ITEMS 6, 7, 8, 10, AND 11 AS SHOWN IN DETAIL-1.
- 4) INSTALL TOP ASSEMBLY (ITEM 1) WITH ITEMS 4, 5, AND 6 AS SHOWN IN VIEW V1.
- 5) INSTALL RESILIENT SURFACING.

AUTHORIZED BY: 19JAN12  
*Eric of Cleveland*



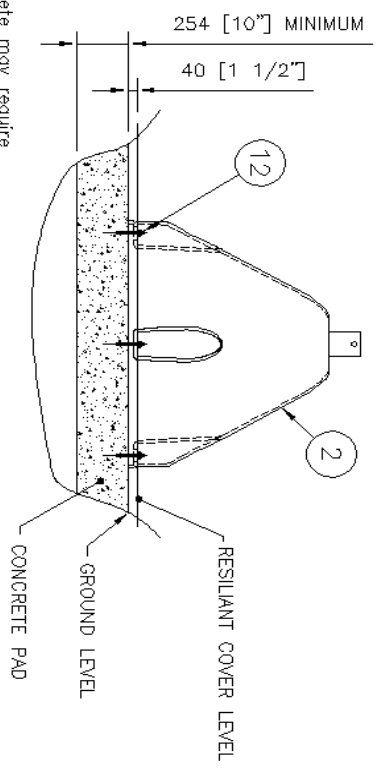
NOTE:  
Item 12 Installed in  
4 Locations

40MM SURFACE MOUNT OPTION 1: PIER



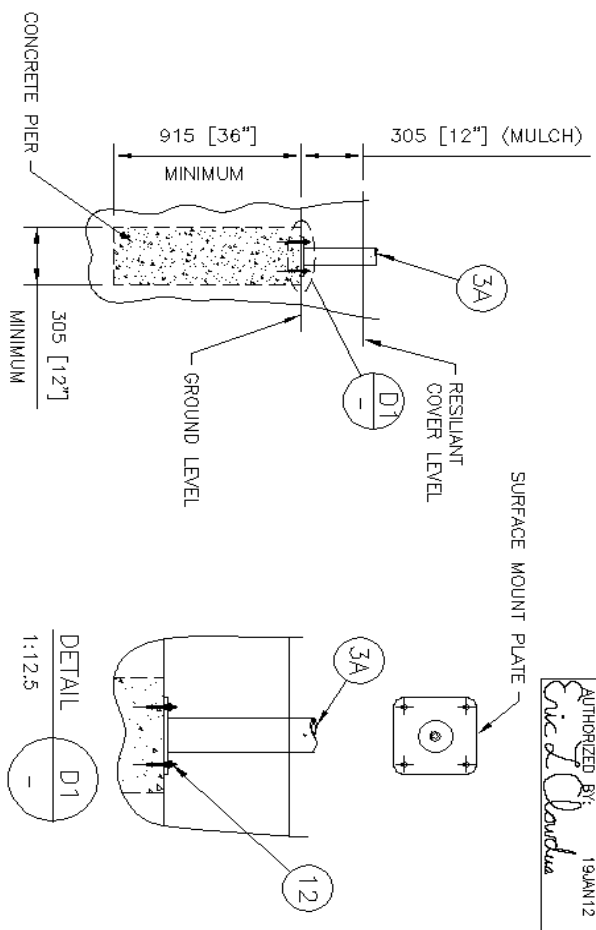
NOTE:  
Item 12 Installed  
in 4 Locations

40MM SURFACE MOUNT OPTION 2: CONCRETE PAD



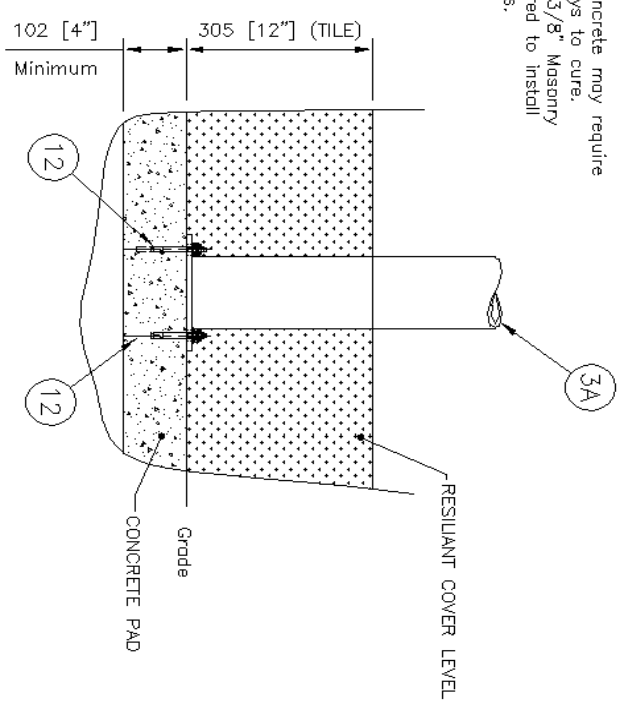
NOTE: Concrete may require  
up to 3 days to cure.

NOTE: Mount as shown above.  
View Not To Scale



305MM SURFACE MOUNT OPTION 2: CONCRETE PAD

NOTE 4: Concrete may require  
up to 3 days to cure.  
NOTE 5: A 3/8\" Masonry  
bit is required to install  
anchor bolts.



NOTE: Mount as shown above.

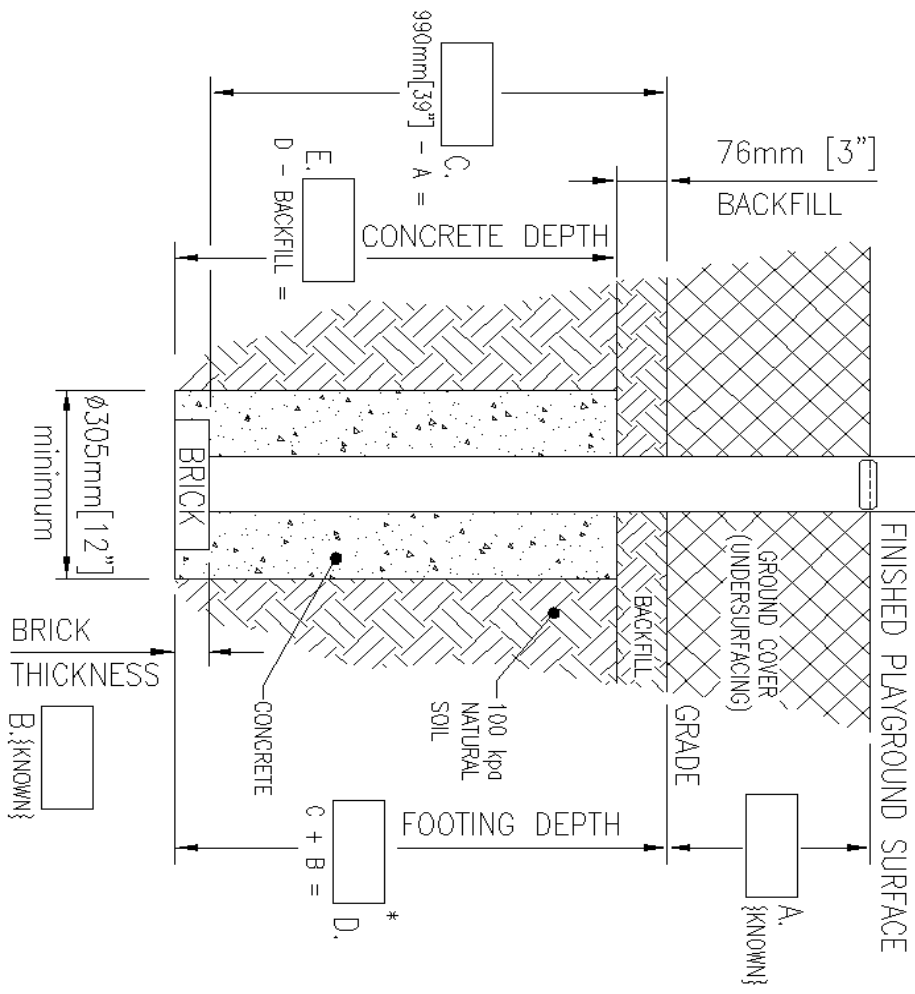
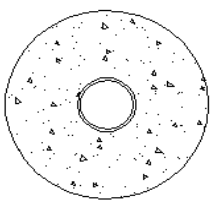
AUTHORIZED BY  
*Eric J. Claudius*  
19JAN12

# INSTR F/NU-EDGE RAFT RIDER

200302674  
190026A  
Sheet 3 of 4

AUTHORIZED BY: *Eric J. Cloutier* 19JAN12

1. COMPLETE THE CALCULATION SHEET BELOW (FILL IN BLOCKS A THRU E).
2. FOOTING SIZE MAY VARY DUE TO LOCAL SOIL AND WEATHER CONDITIONS.
3. BASE OF FOOTING MUST BE BELOW FROST LINE.



If you are in need of Material Safety Data Sheets pertaining to the use and handling of any maintenance materials such as touch-up paint, vinyl repair kits or for product such as, Kid Tiles adhesive or urethane top coatings, please contact our Customer Service Department at 1(800)325-8828. They will be able to provide you with the information you require.

## POST FOOTING INGROUND/LOOSE FILL

- A. GROUND COVER DEPTH {KNOWN};
- B. BRICK THICKNESS {KNOWN};
- C. 990mm[39"] - A BECAUSE A + C SHOULD ALWAYS EQUAL 990mm[39"]
- D. FOOTING DEPTH = [C] + BRICK THICKNESS.  
\*MINIMUM 610mm[24"] + BRICK THICKNESS FOOTING DEPTH REQUIRED
- E. CONCRETE DEPTH = FOOTING DEPTH [D] - 76mm[3"] (BACKFILL).

### HOW MUCH CONCRETE?

VOLUME OF CONCRETE REQUIRED FOR FOOTINGS:

$$= 0.067 \text{ M}^3 \times \left\{ \frac{\text{CONCRETE DEPTH (mm)}}{915} \right\} \times \text{No. OF FOOTING HOLES} = \text{M}^3$$

$$= 0.087 \text{ Yard}^3 \times \left\{ \frac{\text{CONCRETE DEPTH (IN)}}{36} \right\} \times \text{No. OF FOOTING HOLES} = \text{Yard}^3$$

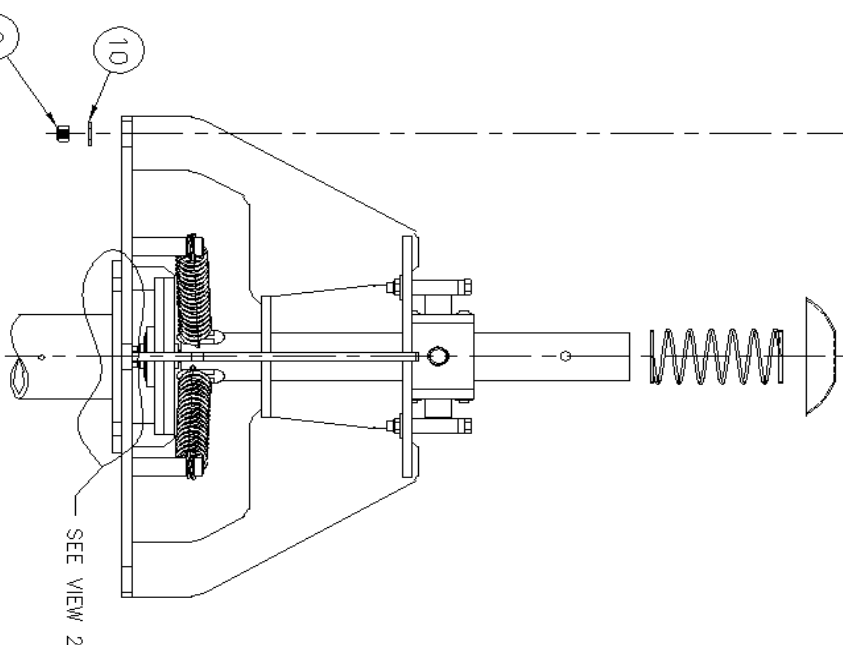
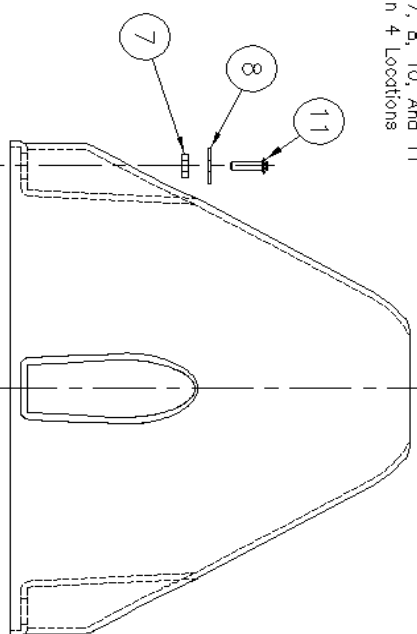
NOTES: - TO CALCULATE CUBIC FEET, MULTIPLY CUBIC YARD BY 27  
- 94 lbs OF CONCRETE = 1 CUBIC FOOT.



commercial play systems

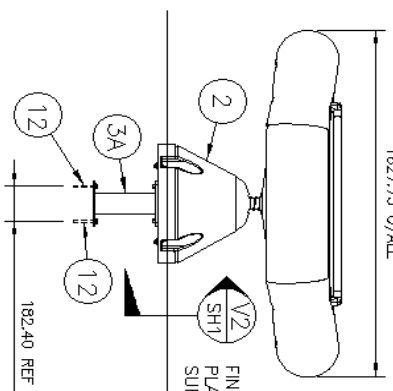
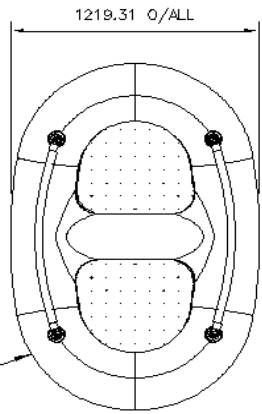
# INSTR F/NU-EDGE RAFT RIDER

NOTE:  
Items 6, 7, 8, 10, And 11  
Installed in 4 Locations

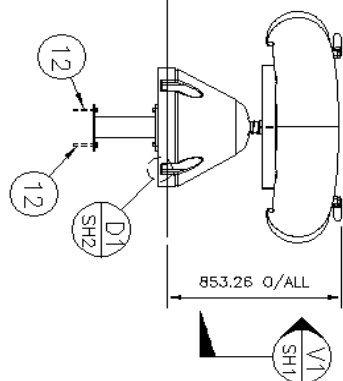


DETAIL  
1:5  
D1  
SH1

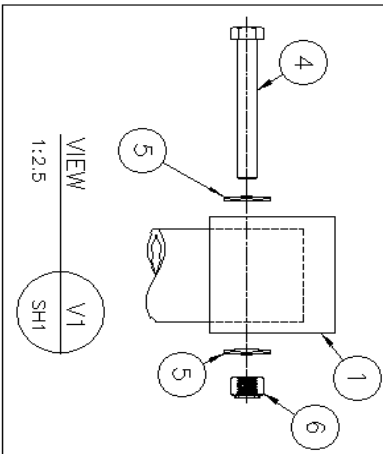
SEE VIEW 2



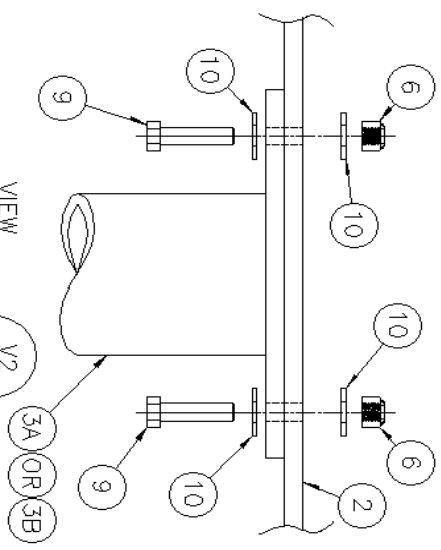
FINISHED  
PLAYGROUND  
SURFACE



305 MM SURFACE MOUNT SHOWN



VIEW  
1:2.5  
V1  
SH1



VIEW  
1:2.5  
V2  
SH1

ITEMS REMOVED FOR CLARITY

200302674

1900026A

Sheet 4 of 4

AUTHORIZED BY  
*Eric J. Claudius*  
19JAN12